

**GENERAL NOTES**

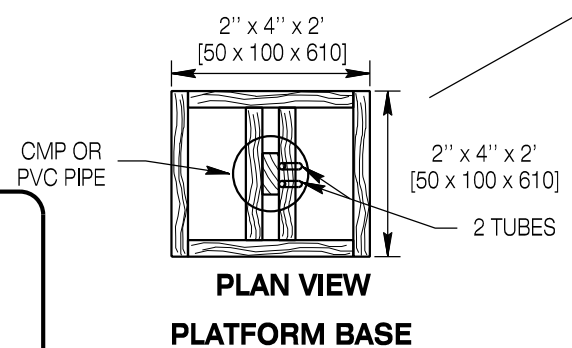
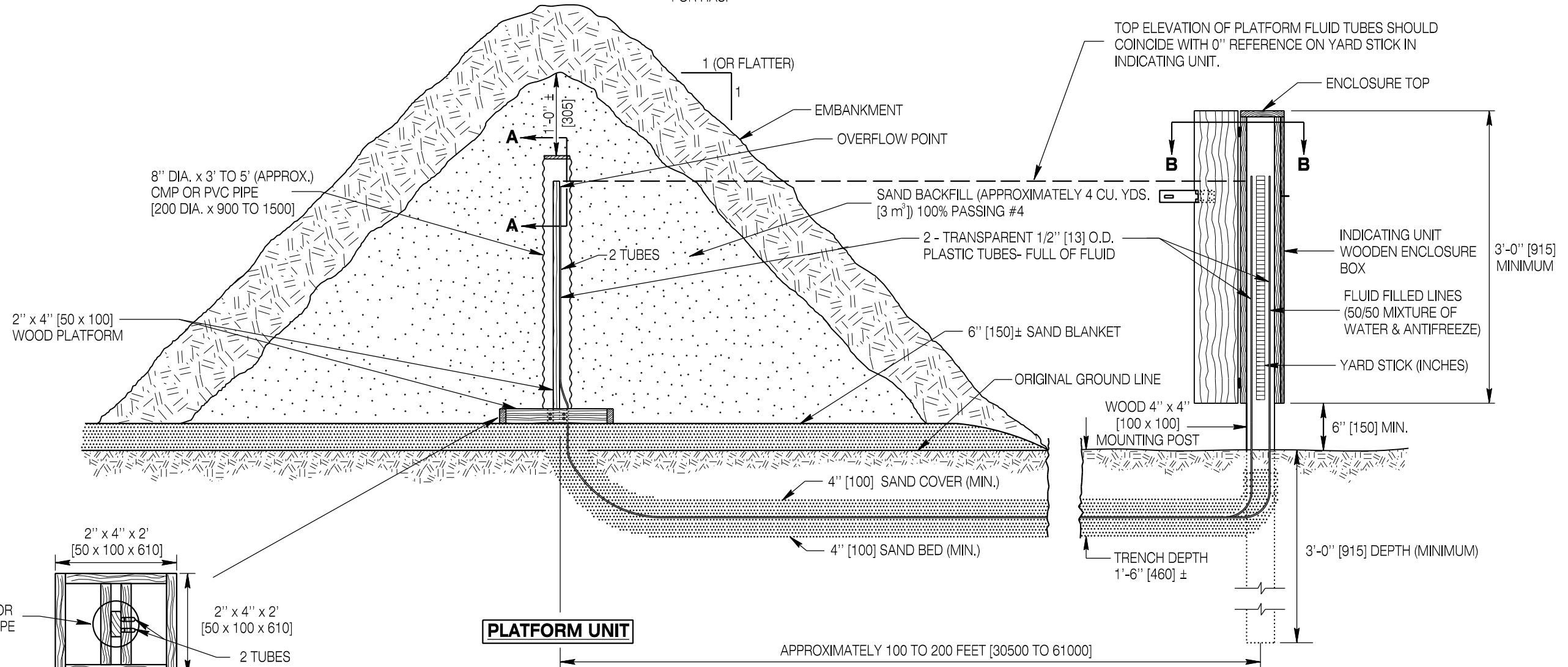
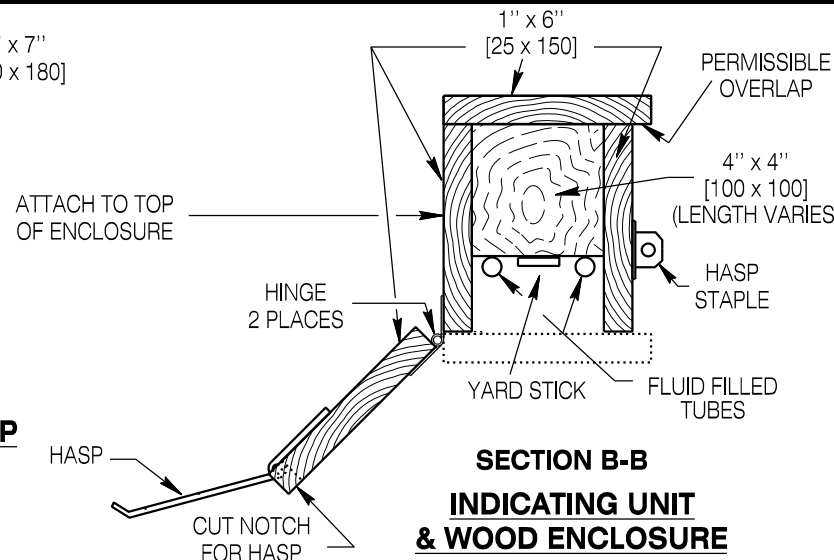
Locate indicating unit as close to the right of way line as practical, on stable ground outside of the influence of settlement.

Compact sand around settlement platform and 1 ft. [305] above the protective cover.

Lumber dimensions are nominal (except length).

Construct walls of the enclosure to fit tight on 4" x 4" [100 x 100] on three sides.

Boards may be overlapped as shown, or trimmed flush with cabinet. If overlapped, cut recess for hasp to be mounted flush.



Designed by: WFS  
 Drawn by: GLD / RCS  
 Checked by: WBW  
 Previous Dwg. No. 203-1

Note: Units shown in brackets [ ] are metric and are in millimeters (mm) unless other units are shown.



**SETTLEMENT PLATFORM**

STANDARD PLAN

STANDARD PLAN NUMBER  
**203-1A**  
 SHEET 1 of 1  
 Issued by: ENGINEERING SERVICES  
 Date Issued: OCTOBER 2016