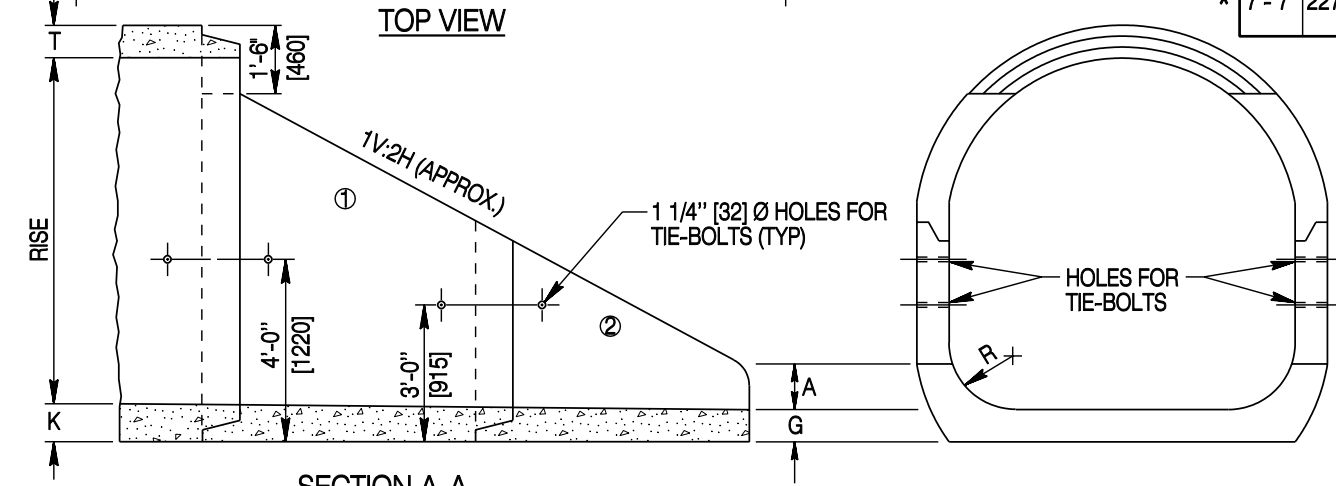


TOP VIEW



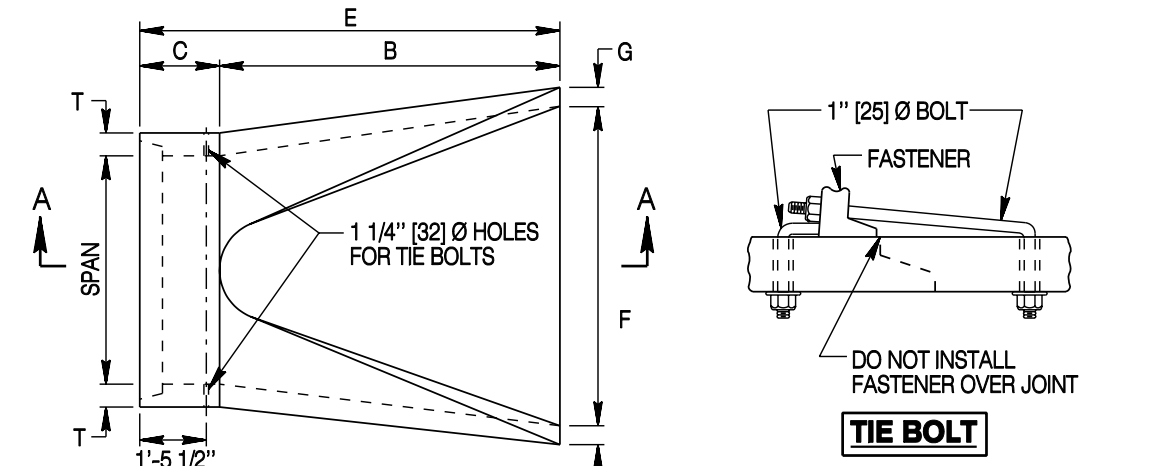
SECTION A-A

REINFORCED CONCRETE STOCK PASS DIMENSIONS												
SPAN		RISE		TYPE	ESTIMATED WEIGHT		WALL		BASE		R ₁	R ₂
FT - IN	mm	FT - IN	mm		LBS/FT	Kg/m	IN	mm	IN	mm	IN	mm
4 - 0	1200	5 - 0	1500	A	1,110	1650	5	125	5	125	6	150
4 - 0	1200	6 - 0	1800	A	1,240	1845	5	125	5	125	6	150
* 5 - 0	1500	7 - 0	2100	B	1,920	2860	6	150	7 1/2	190	10	255
* 7 - 7	2275	7 - 7	2275	B	3,200	4760	8 1/2	215	10	255	17 1/2	445

***Note:** Use tie bolts and fasteners on 5 ft x 7 ft [1500 x 2100] and 7 ft - 7 in x 7 ft - 7 in [2275 x 2275] reinforced concrete stockpasses only.

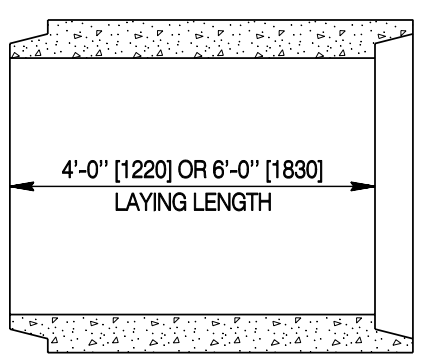
REINFORCED CONCRETE STOCK PASS FLARED END SECTION DIMENSIONS																							
SPAN		RISE		ESTIMATED WEIGHT		SLOPE	T	A		B		C		E		F		G		K	R		
FT - IN	mm	FT - IN	mm	LBS	kg	1V: XH	IN	mm	FT - IN	mm	FT - IN	mm	FT - IN	mm	FT - IN	mm	FT - IN	mm	IN	mm	IN	mm	
4 - 0	1200	5 - 0	1500	7,320	3320	1V:1.7H	5	125	2 - 6	750	5 - 0	1525	3 - 2	965	8 - 2	2490	6 - 0	1830	5	125	5	125	6
4 - 0	1200	6 - 0	1800	10,650	4830	1V:2H	5	125	2 - 11	890	7 - 0	2135	3 - 2	965	10 - 2	3100	7 - 0	2135	5	125	5	125	6
* 5 - 0	1500	7 - 0	2100	13,100	5940	1V:1.6H	6	150	3 - 6	1065	7 - 5 1/2	2275	1 - 9	535	9 - 2 1/2	2810	7 - 0	2135	5	125	7 1/2	188	6
* 7 - 7	2275	7 - 7	2275	① 9,180 ② 6,480	4165 2940	APPROX. 1V:2H	8 1/2	215	1 - 0	305	6 - 0	1830	6 - 0	1830	12 - 0	3660	7 - 7	2310	8 1/2	215	10	255	17 1/2

FLARED END SECTION - 7'-7" x 7'-7" [2275 x 2275] REINFORCED CONCRETE STOCK PASS

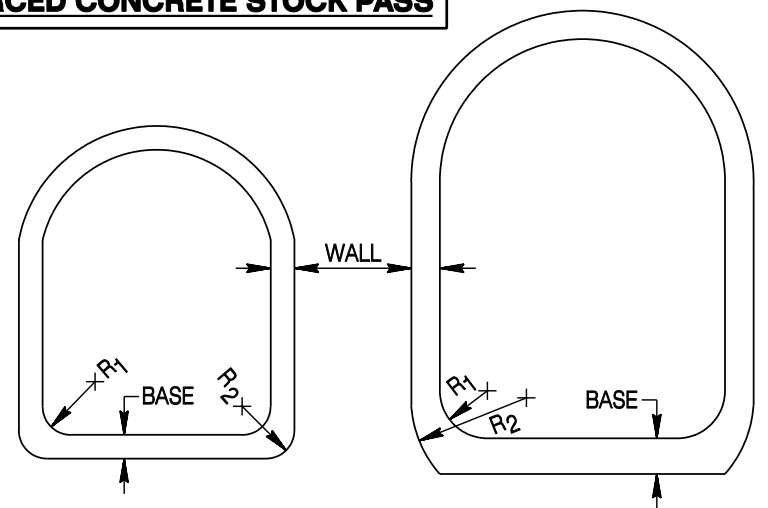


TOP VIEW

TIE BOLT



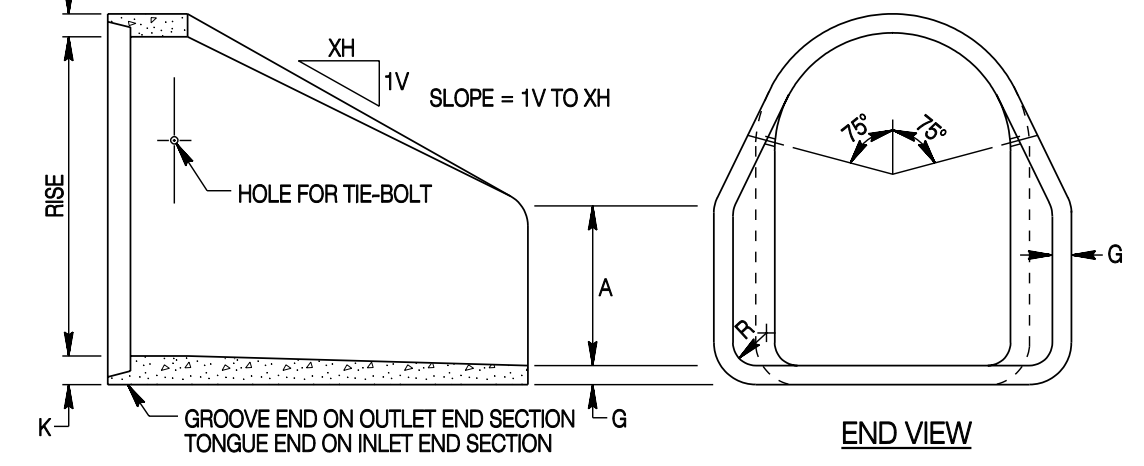
LONGITUDINAL SECTION



TYPE A

TYPE B

REINFORCED CONCRETE STOCK PASS



SECTION A-A

END VIEW

FLARED END SECTIONS FOR REINFORCED CONCRETE STOCK PASS

Designed by: BOS
 Drawn by: KAP
 Checked by: RRC
 Previous Des. No. 618-01A
 Note: Units shown in brackets [] are metric and are in millimeters (mm) unless other units are shown.



REINFORCED CONCRETE STOCKPASS AND FLARED END SECTIONS
 STANDARD PLAN

STANDARD PLAN NUMBER
618-1
 SHEET 1 of 1
 Issued by: ENGINEERING SERVICES
 Date Issued: NOVEMBER, 2004