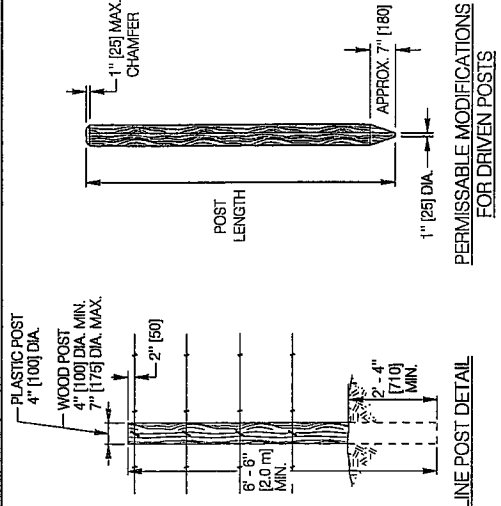


WIRE FENCE TYPE AND POST SPACING REQUIREMENTS

WIRE HEIGHT FENCE TYPE	COMBINATION WOVEN WIRE & BARBED WIRE		BARBED WIRE							WOVEN WIRE WIRE	
	TYPE A 32" [812] WW-2 BW	TYPE B (INTERSTATE STANDARD) 32" [812] WW-3 BW	TYPE C 26" [660] WW-2 BW	TYPE D 4 BW-1 SMOOTH	TYPE E 3 BW-1 SMOOTH	TYPE F 4 BW	TYPE G 5 BW	TYPE H 6 BW	TYPE I 3 BW		TYPE J 6 BW
CONFINEMENT	12" [305]	12" [305]	12" [305]	12" [305]	12" [305]	12" [305]	12" [305]	12" [305]	15" [380]	15" [380]	50" [1270]
	24" [610]	24" [610]	24" [610]	24" [610]	24" [610]	24" [610]	24" [610]	24" [610]	15" [380]	15" [380]	50" [1270]
	36" [915]	36" [915]	36" [915]	36" [915]	36" [915]	36" [915]	36" [915]	36" [915]	15" [380]	15" [380]	50" [1270]
	48" [1220]	48" [1220]	48" [1220]	48" [1220]	48" [1220]	48" [1220]	48" [1220]	48" [1220]	15" [380]	15" [380]	50" [1270]
	60" [1525]	60" [1525]	60" [1525]	60" [1525]	60" [1525]	60" [1525]	60" [1525]	60" [1525]	15" [380]	15" [380]	50" [1270]
	72" [1830]	72" [1830]	72" [1830]	72" [1830]	72" [1830]	72" [1830]	72" [1830]	72" [1830]	15" [380]	15" [380]	50" [1270]
LINE POST TYPE	WOOD, PLASTIC OR METAL AS SPECIFIED (IF WOOD OR PLASTIC LINE POSTS ARE USED, METAL LINE POSTS ARE REQUIRED AT SPECIFIED INTERVALS FOR LIGHTENING GROUNDING AS PER THE STANDARD SPECIFICATIONS)										
MAX LINE POST SPACING	16' - 6" [5.0 m]										

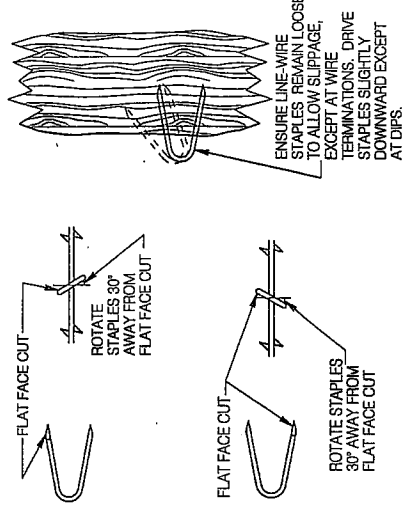
NOTES

- Temporary fence runs 200 feet [61 m] and less do not require brace panels for fence terminations unless determined by the engineer they are needed for fence stability.
- Barrier Fence should only be specified for medians, not for right-of-way fence.

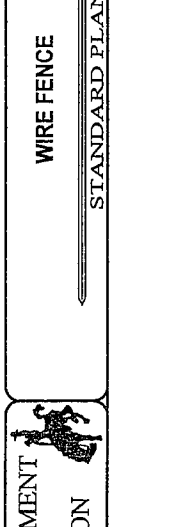


WOOD AND PLASTIC LINE POSTS

Attach wire to wood post with fence staples. Attach wire to plastic posts with clips approved by the engineer per specifications.



WIRE ATTACHMENT TO WOOD POSTS & WOOD STAYS (STAPLE DETAILS)
 Attach wire to wood posts, wood stays and gate sticks with 2" x 9 gauge [50 x 3.8 Dia.] galvanized barbed staples.



STANDARD PLAN NUMBER
607-1A
 SHEET 1 of 6
 WORKING ENGINEERING SERVICES
 LAST REVISED: DECEMBER, 2006

WYOMING DEPARTMENT OF TRANSPORTATION

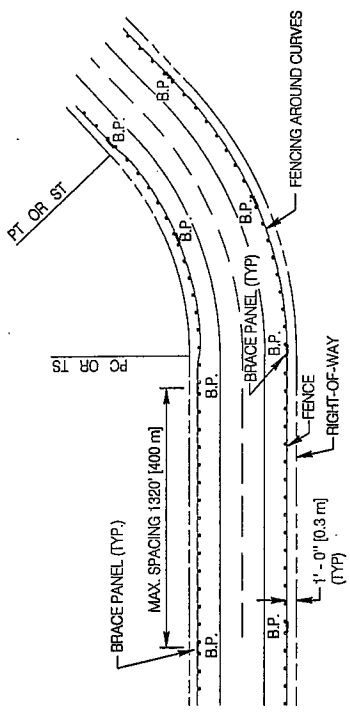
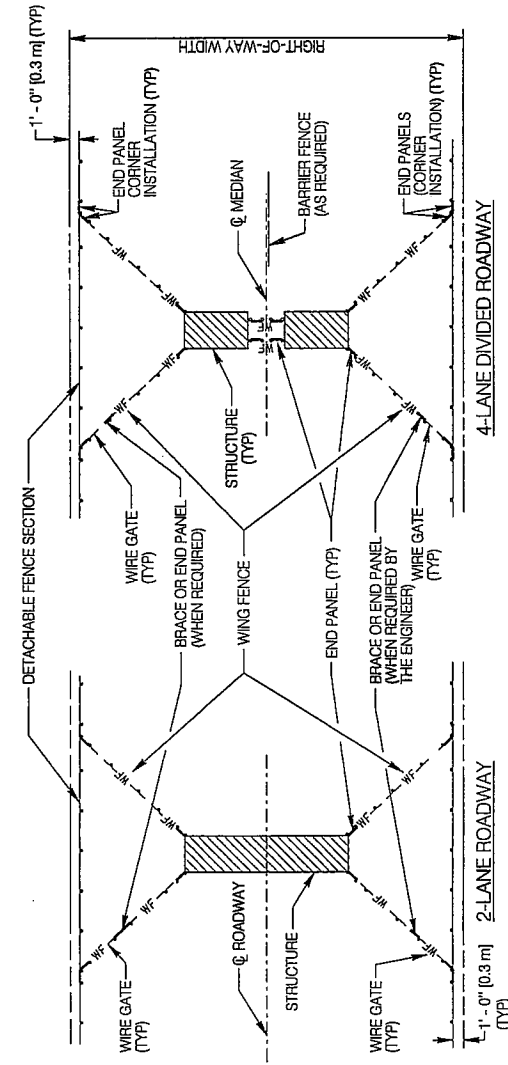
WIRE SPACING AND LINE POST DETAILS

Note: Units shown in brackets [] are metric and are in millimeters (mm) unless other units are shown.

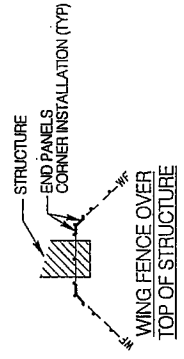
WIRE FENCE
 STANDARD PLAN

GENERAL NOTES

Place brace panels in tangent fences runs at locations designated by the engineer but no more than 1320 ft. (400 m) apart.

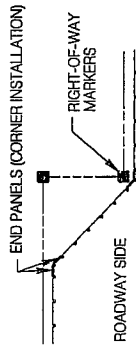


GENERAL FENCE REQUIREMENTS

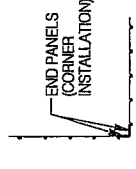


WING FENCE DETAILS

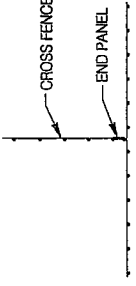
(FOR ALL 72" (1830) EQUIVALENT DIAMETER OR LARGER PIPE, BOX CULVERTS, BRIDGES AND OTHER LOCATIONS AS SPECIFIED IN THE PLANS)



RIGHT-OF-WAY WIDTH CHANGE



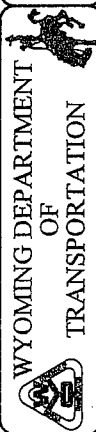
CORNER FENCE



CROSS FENCE CONNECTION

Standard: WYO
 Edition: OLD
 County: WYO
 Project No.: 607-1

GENERAL LAYOUT



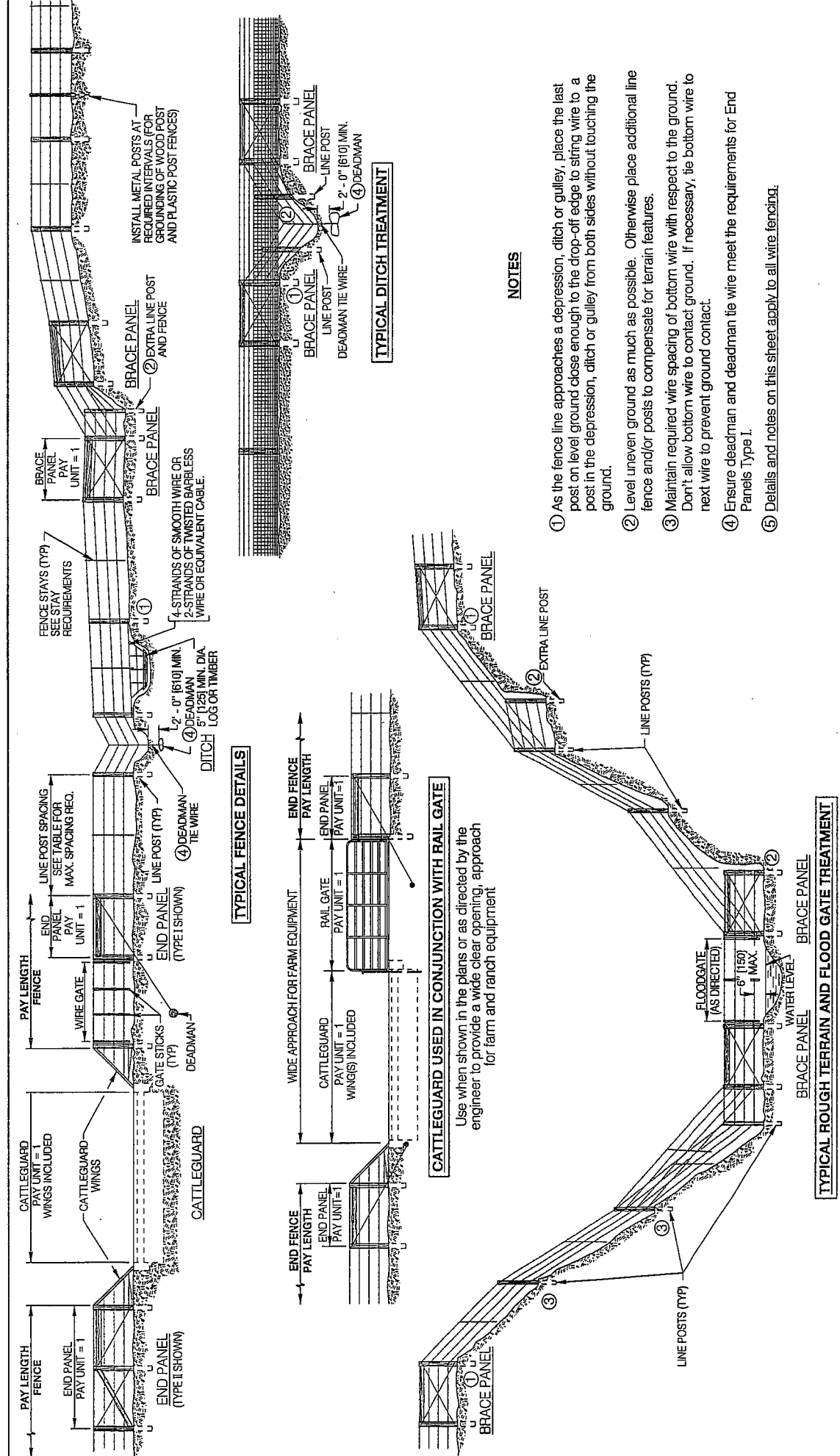
WYOMING DEPARTMENT OF TRANSPORTATION

WIRE FENCE

STANDARD PLAN

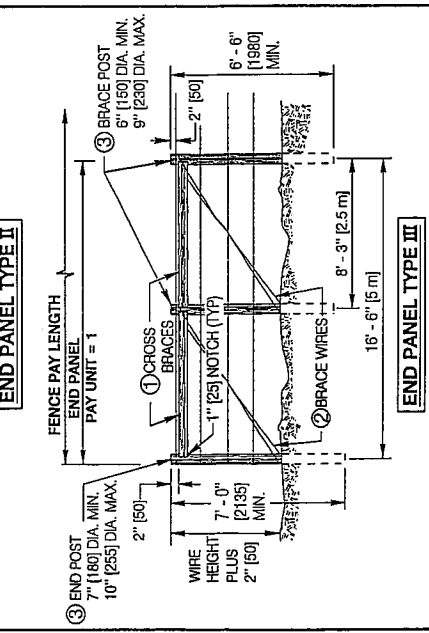
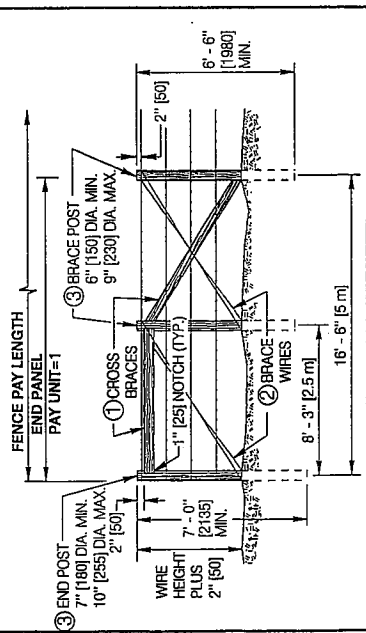
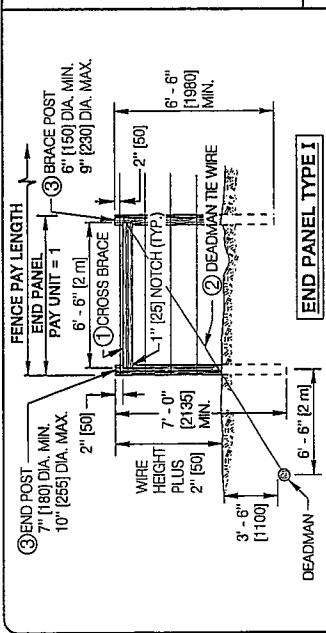
STANDARD PLAN NUMBER
607-1A
 SHEET 2 of 6
 WYOMING ENGINEERING SERVICES
 (REVISED DECEMBER 2000)

Note: Units shown in brackets [] are metric and are in millimeters (mm) unless other units are shown.



NOTES

- ① As the fence line approaches a depression, ditch or gully, place the last post on level ground close enough to the drop-off edge to string wire to a post in the depression, ditch or gully from both sides without touching the ground.
- ② Level uneven ground as much as possible. Otherwise place additional line fence and/or posts to compensate for terrain features.
- ③ Maintain required wire spacing of bottom wire with respect to the ground. Don't allow bottom wire to contact ground. If necessary, tie bottom wire to next wire to prevent ground contact.
- ④ Ensure deadman and deadman tie wire meet the requirements for End Panels Type I.
- ⑤ Details and notes on this sheet apply to all wire fencing.

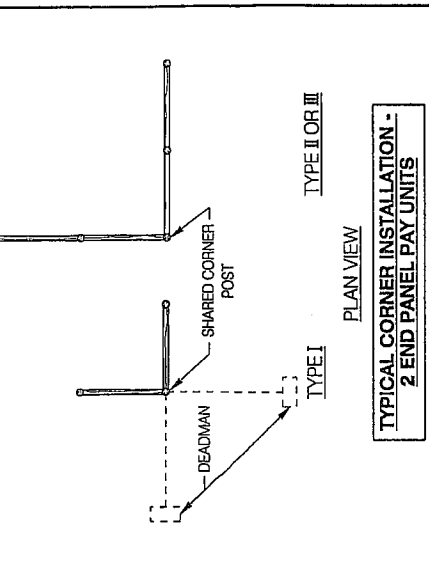
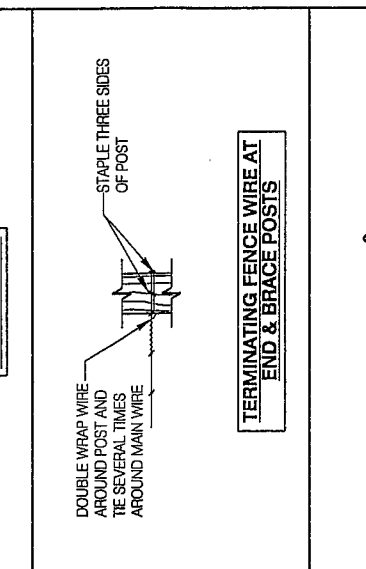
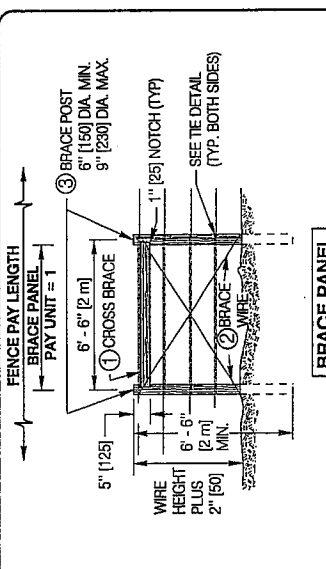
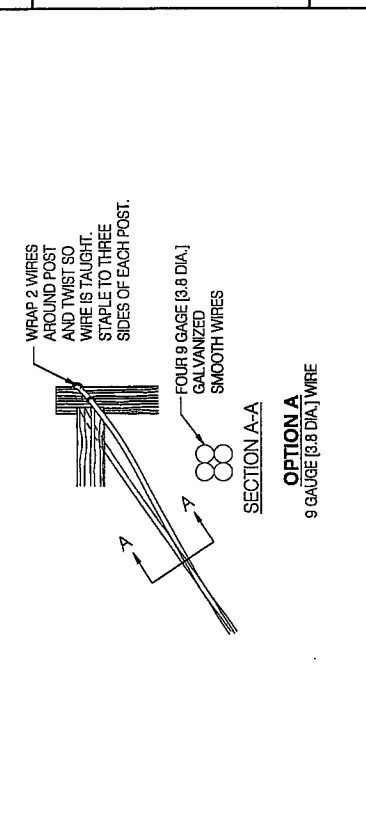


NOTES

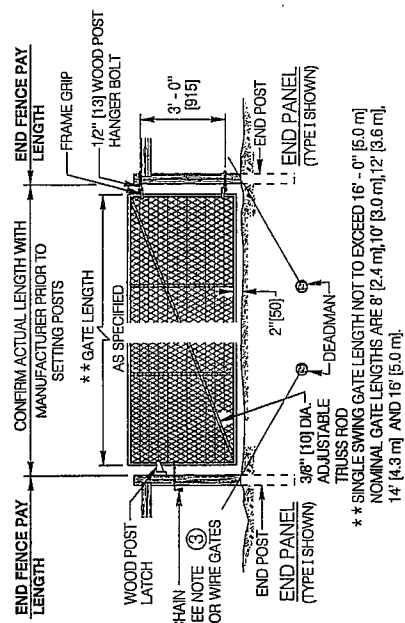
① **CROSS BRACES**
Provide wood cross braces that have a minimum diameter of 4 inches [100]. Install top of cross brace flush with top wire.

② **BRACE AND DEADMAN TIE WIRES**
Staple brace and tie wire with a minimum of three staples to each wood post and/or deadman. Twist tie wires together to form a light composite brace and/or anchor wire.

③ **BRACE AND END POSTS**
Provide wood brace and end posts as shown.

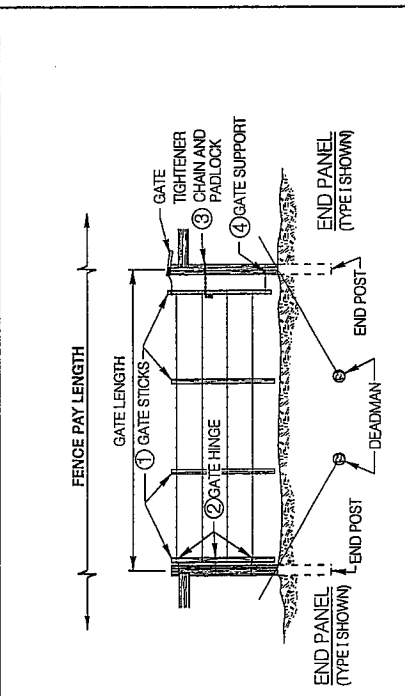


Note: Units shown in brackets [] are metric and are in millimeters (mm) unless other units are shown.



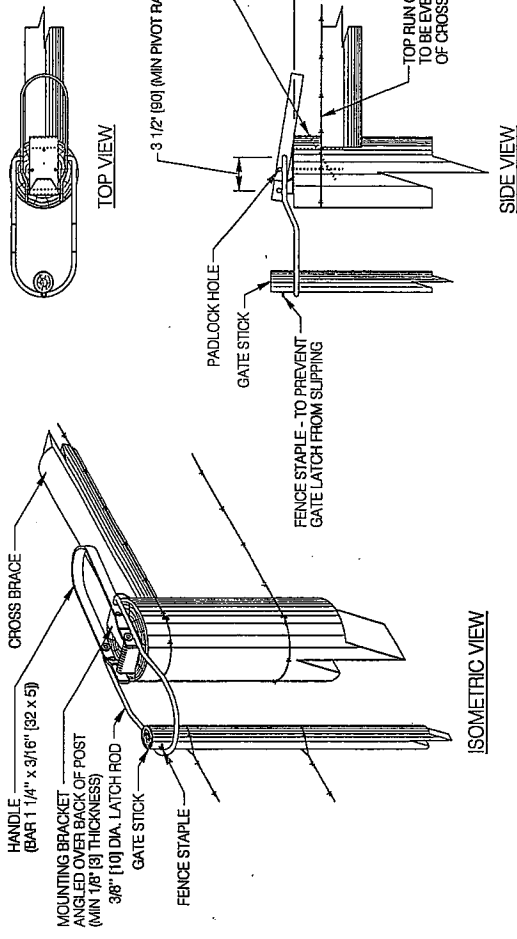
GALVANIZED STEEL GATE

** SINGLE SWING GATE LENGTH NOT TO EXCEED 16' - 0" [5.0 m]
 NOMINAL GATE LENGTHS ARE 8' [2.4 m], 10' [3.0 m], 12' [3.6 m],
 14' [4.3 m] AND 16' [5.0 m].



WIRE GATES

- ① **GATE STICK**
 Provide wood gate sticks with a minimum cross section of either a rough dimension 2 in. x 2 in. [50 x 50], 1 1/2 in. x 3 1/2 in. [40 x 90] (nominal 2 in. x 4 in. [50 x 100]) or 2 1/2 in. [65] diameter. Extend the stick 1 inch [25] below the bottom strand of wire and 2 inches [50] above the top strand of wire.
- ② **GATE HINGE**
 Staple to gate stick and to the end post. Use 3 per gate.
- ③ **GATE CHAIN**
 Provide 3 foot [915] long galvanized chains where required with 1/4 inch [6] diameter welded links. Secure to end post by wiring or stapling.
- ④ **GATE SUPPORT**
 Secure to the end post leaving a loop big enough to encompass a gate stick.



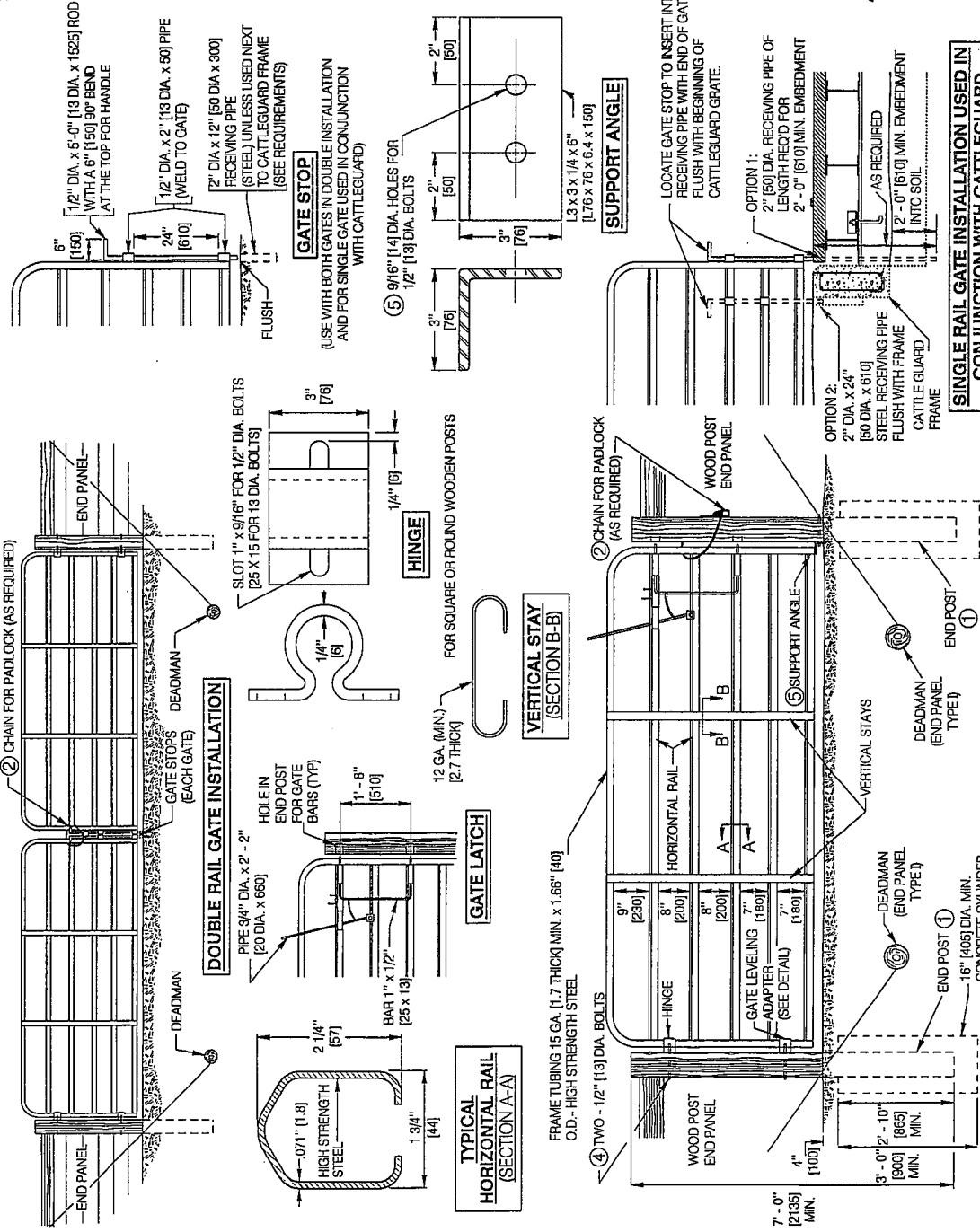
TYPICAL GATE TIGHTENER

Shop paint gate tighteners. Use alternate tighteners only when approved by the engineer. It will be the sole discretion of the engineer in determining whether alternate gate tighteners are of equivalent strength, functionality and durability.

Note: Units shown in brackets [] are metric and are in millimeters (mm) unless other units are shown.

RAIL GATE NOTES

- ① **POST EMBEDMENT**
In lieu of anchoring end posts in concrete, embed a minimum of 4 ft. [1220] deep.
- ② **GATE CHAIN**
When required provide 3 ft. [915] long, galvanized chains with 1/4" [6] diameter welded links. Secure to the end post by wiring or stapling.
- ③ **RAIL GATES**
Alternate gates with horizontal rail, frame tubing and vertical stay sections may be as approved by the engineer.
- ④ **HINGE BOLTS**
Use two 1/2 in [13] dia. bolts with nuts and washers for each hinge; bolt length to be determined by the size and type of post used.
- ⑤ **SUPPORT ANGLE AND BOLTS**
Use two 1/2 in. [13] dia. bolts with nuts and washers for attaching each support angle to the posts.



Note: Units shown in brackets [] are metric and are in millimeters (mm) unless other units are shown.